

# Stainless Steel Pull Handles

PH01RX

## Single Pull Handle with Rose



### Application:

- Suitable for use on wooden doors
- Available in 3 handle lengths
- Concealed face fixing

### Specification:

- Manufactured from Grade 304 steel
- Handle Diameter: 19mm
- Handle Length: 150, 225, 300 and 425mm
- Available in SS finish as standard

### Finish:

- SS - Satin Stainless Steel

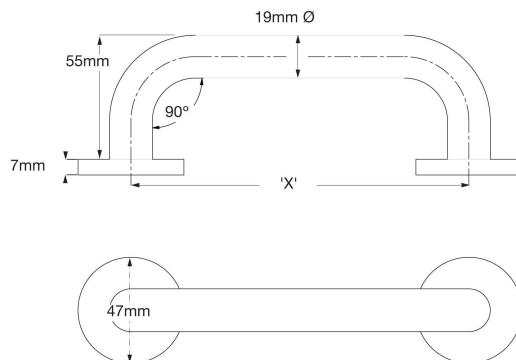


### Standards:

- BS EN 1634 Part 1 : 2000 assessed for use on 60 minutes timber fire doors
- Cycle tested to 200,000 cycles
- Corrosion testing – 96 hours –EN 1670 Grade 3



### Technical Design:



Product Code	'X'
PH01RX150	150mm
PH01RX225	225mm
PH01RX300	300mm
PH01RX425	425mm

# Stainless Steel Pull Handles

PH01RX

Single Pull Handle with Rose



ASSA ABLOY

## Variants:

Code	Description
J-PH01RX150SS	01 PLL HAND/RSE 150MM SSS
J-PH01RX225SS	01 PULL HANDLE/ROSE 225MM SSS
J-PH01RX300SS	01 PULL HANDLE/ROSE 300MM SSS
J-PH01RX425SS	FACE FIX 19MM PULL HANDLE SSS